



February 2007

Dear Greenlee Distributor:

The purpose of this correspondence is to inform you of a recall currently underway with respect to Model 881 Benders manufactured by Greenlee Textron Inc.

In the course of the manufacturing process for Model 881 Benders, some sets of Connecting Bars may have experienced a reduction of material performance properties. Since the extent of the condition has not been precisely ascertained for all of the affected Connecting Bars, in an abundance of caution Greenlee is requesting that:

(1) Owners of Model 881 Benders manufactured between January 1, 2004 and November 17, 2006, having Serial Numbers ranging from RZ10946XA through RZ11779ZK (the Serial Number is stamped on the end of the ram near the hydraulic fitting), and

(2) Purchasers of #51263090 Connecting Bar replacement parts obtained between January 1, 2004 and November 17, 2006 contact Greenlee immediately, TO ARRANGE FOR EVALUATION AND TO RECEIVE REPLACEMENT CONNECTING BARS.

Should the Connecting Bars fail during use, under certain circumstances the bender could be irreparably damaged – WITH POSSIBLE RESULTING SERIOUS INJURIES TO WORKERS AND BYSTANDERS.

For that reason, Greenlee is requesting that you identify to Greenlee within seven (7) business days, by name, address, telephone number and e-mail address – and, whenever possible, with specific points of contact – all of your customers who have received the affected Model 881 Benders and/or to whom Connecting Bar replacement parts were shipped.

Please contact Greenlee IMMEDIATELY in this regard, at

1-866-910-3977
BenderRecall@greenlee.textron.com
Attn: Anita Korn
Greenlee Textron Inc.
4455 Boeing Drive
Rockford, IL 61109

Greenlee will then communicate directly with your customers and, upon confirming that your customer has an affected Model 881 Bender or Connecting Bar replacement parts, Greenlee will advise the customer TO STOP USING THE BENDER IMMEDIATELY and will provide instructions for the return of the subject Connecting Bars for evaluation and replacement. Within approximately five (5) business days or less, Greenlee will send to your customer, free of charge via overnight delivery, replacement Connecting Bars to be installed on the Model 881 Bender or to replenish the customer's parts inventory. The customer also will receive pre-paid packaging, directing the customer to return to Greenlee the older parts.

If you have affected Model 881 Benders or #51263090 Connecting Bars in your unsold inventory, a similar process will be used for you to receive replacement Connecting Bars and for your return of the older parts.

Greenlee regrets and sincerely apologizes for the inconvenience this action causes. Thank you for your cooperation and assistance.

Todd Ellerton
Sr. Product Manager
Greenlee Textron Inc.

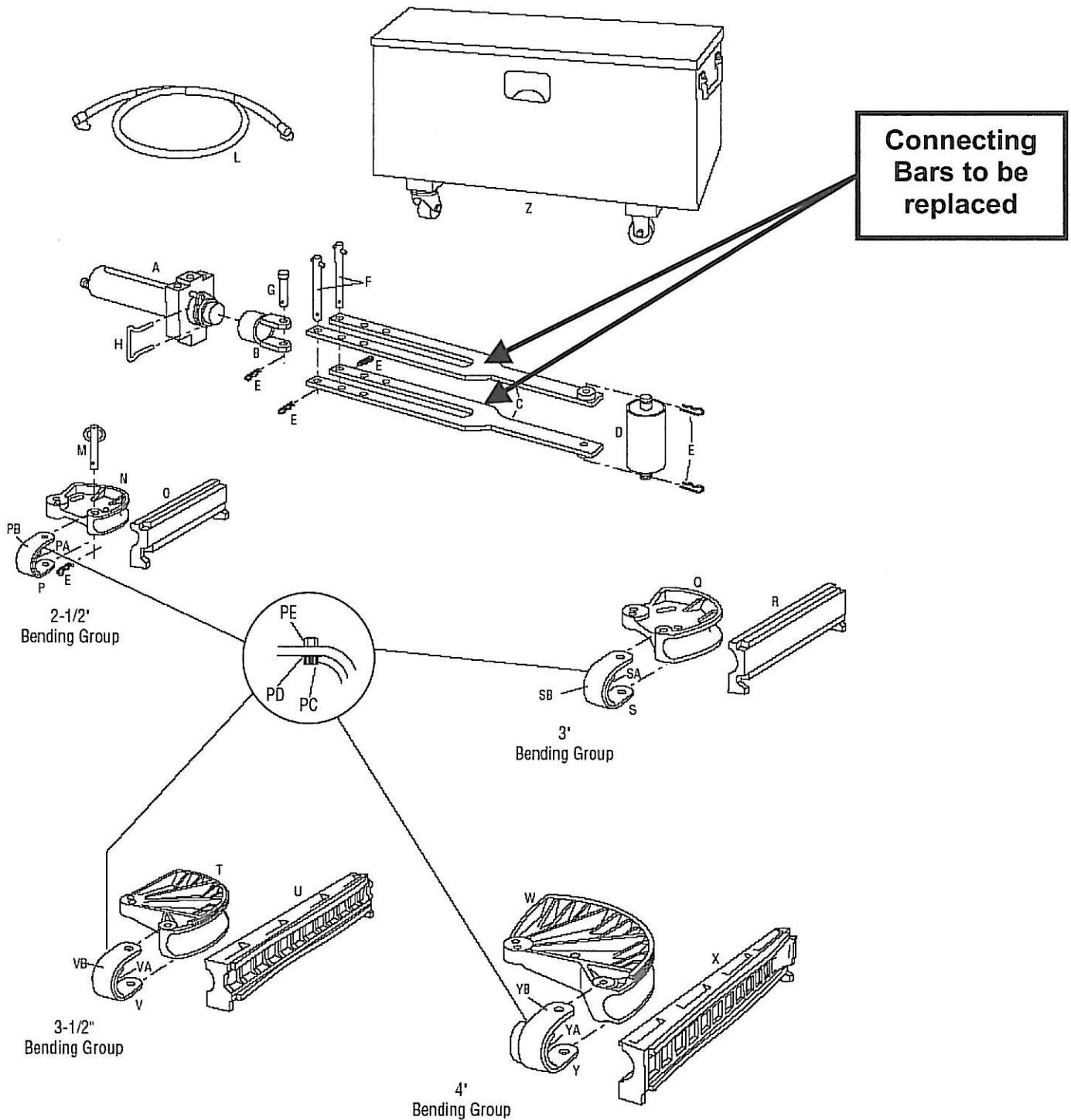


GREENLEE® 881 and 881CT Cam Track® Hydraulic Benders

A Textron Company

Identification—Major Components

881 and 881CT Cam Track® Hydraulic Bender



There With You™
faster • safer • easier®



GREENLEE®
A Textron Company

February 2007

Dear Greenlee Distributor:

The purpose of this correspondence is to inform you of a recall currently underway with respect to the Model 884 Benders manufactured by Greenlee Textron Inc.

In the course of the manufacturing process for Model 884 Benders, some Aluminum Cross Frame Plates (please refer to the enclosed page from the instruction manual) may have experienced a reduction of material performance properties. Since the extent of the condition has not been precisely ascertained for all of the affected Aluminum Cross Frame Plates, in an abundance of caution Greenlee is requesting that Owners of Model 884 Benders manufactured between January 1, 2004 and November 17, 2006, having Serial Numbers ranging from HH24968XA through HH25274ZJ, contact Greenlee immediately TO ARRANGE FOR EVALUATION AND TO RECEIVE REPLACEMENT ALUMINUM CROSS FRAME PLATES. The Serial Number is stamped on the end of the ram near the hydraulic fitting.

Should the Aluminum Cross Frame Plates fail during use, under certain circumstances the bender could be irreparably damaged – WITH POSSIBLE RESULTING SERIOUS INJURIES TO WORKERS AND BYSTANDERS.

For that reason, Greenlee is requesting that you identify to Greenlee within seven (7) business days, by name, address, telephone number and e-mail address – and, whenever possible, with specific points of contact – all of your customers who have received the affected Model 884 Benders.

Please contact Greenlee IMMEDIATELY in this regard, at
1-866-910-3977
BenderRecall@greenlee.textron.com
Attn: Anita Korn
Greenlee Textron Inc.
4455 Boeing Drive
Rockford, IL 61109

Greenlee will then communicate directly with your customers and, upon confirming that your customer has an affected Model 884, Greenlee will advise the customer TO STOP USING THE BENDER IMMEDIATELY and will provide instructions for the return of the subject Aluminum Cross Frame Plates for evaluation and replacement. Within approximately five (5) business days or less, Greenlee will send to your customer, free of charge via overnight delivery, replacement Aluminum Cross Frame Plates to be installed on the Model 884 Bender. The customer also will receive pre-paid packaging, directing the customer to return to Greenlee the older parts.

If you have affected Model 884 Benders in your unsold inventory, a similar process will be used for you to receive replacement Aluminum Cross Frame Plates and for your return of the older parts.

Greenlee regrets and sincerely apologizes for the inconvenience this action causes. Thank you for your cooperation and assistance.

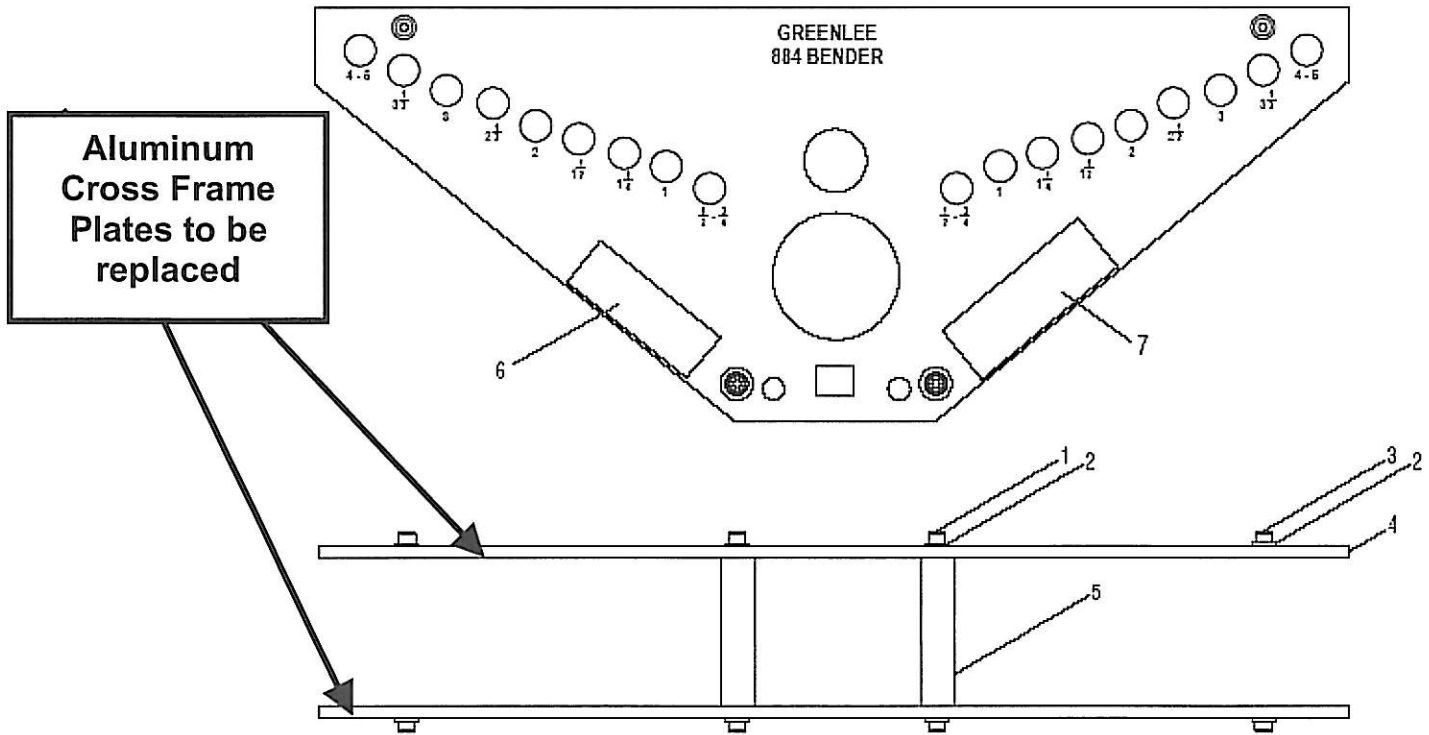
Todd Ellerton
Sr. Product Manager
Greenlee Textron Inc.



GREENLEE® 884 and 885 Hydraulic Benders

A Textron Company

Illustration and Parts List—Frame Unit (501 6754.5)



Key	Cat. No.	Part No.	Description	Qty
1	4042GB	905 0626.9	Screw, cap, 1/2-20 x 1.00 socket head	4
2	1314AV	500 2789.7	Washer, flat, .515 x 1.12 x .094	8
3	4054GB	905 0636.6	Screw, cap, 1/2-32 x .500 socket head	4
4	25191	502 5191.0	Plate, aluminum cross frame	2
5	16742	501 6742.1	Pin, frame support, 1.50 x 6.98	2
6	21379	502 1379.2	Decal, offset	1
7	22344	502 2344.6	Decal, ram travel	1
	34318	503 4316.5	Decal (not shown)	1



GREENLEE®

A Textron Company

February 2007

Dear Greenlee Distributor:

The purpose of this correspondence is to inform you of a recall currently underway with respect to the Model 885 Benders manufactured by Greenlee Textron Inc.

In the course of the manufacturing process for Model 885 Benders, some Aluminum Cross Frame Plates (please refer to the enclosed page from the instruction manual) may have experienced a reduction of material performance properties. Since the extent of the condition has not been precisely ascertained for all of the affected Aluminum Cross Frame Plates, in an abundance of caution Greenlee is requesting that Owners of Model 885 Benders manufactured between January 1, 2004 and November 17, 2006, having Serial Numbers ranging from HH24968XA through HH25282ZK, contact Greenlee immediately TO ARRANGE FOR EVALUATION AND TO RECEIVE REPLACEMENT ALUMINUM CROSS FRAME PLATES. The Serial Number is stamped on the end of the ram near the hydraulic fitting.

Should the Aluminum Cross Frame Plates fail during use, under certain circumstances the bender could be irreparably damaged – WITH POSSIBLE RESULTING SERIOUS INJURIES TO WORKERS AND BYSTANDERS.

For that reason, Greenlee is requesting that you identify to Greenlee within seven (7) business days, by name, address, telephone number and e-mail address – and, whenever possible, with specific points of contact – all of your customers who have received the affected Model 885 Benders.

Please contact Greenlee IMMEDIATELY in this regard, at

1-866-910-3977

BenderRecall@greenlee.textron.com

Attn: Anita Korn

Greenlee Textron Inc.

4455 Boeing Drive

Rockford, IL 61109

Greenlee will then communicate directly with your customers and, upon confirming that your customer has an affected Model 885, Greenlee will advise the customer TO STOP USING THE BENDER IMMEDIATELY and will provide instructions for the return of the subject Aluminum Cross Frame Plates for evaluation and replacement. Within approximately five (5) business days or less, Greenlee will send to your customer, free of charge via overnight delivery, replacement Aluminum Cross Frame Plates to be installed on the Model 885 Bender. The customer also will receive pre-paid packaging, directing the customer to return to Greenlee the older parts.

If you have affected Model 885 Benders in your unsold inventory, a similar process will be used for you to receive replacement Aluminum Cross Frame Plates and for your return of the older parts.

Greenlee regrets and sincerely apologizes for the inconvenience this action causes. Thank you for your cooperation and assistance.

Todd Ellerton

Sr. Product Manager

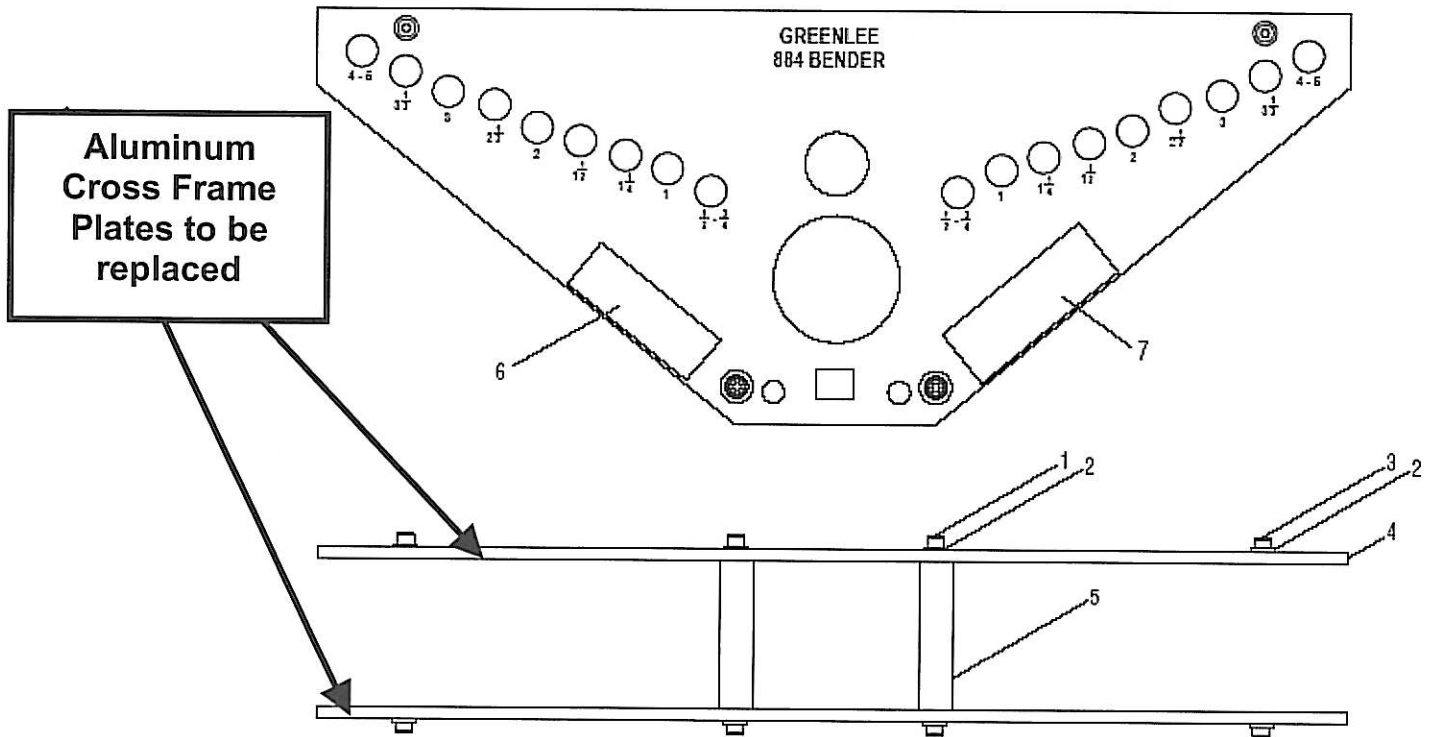
Greenlee Textron Inc.



GREENLEE® 884 and 885 Hydraulic Benders

A Textron Company

Illustration and Parts List—Frame Unit (501 6754.5)



Key	Cat. No.	Part No.	Description	Qty
1	4042GB	905 0636.9	Screw, cap, 1/2-20 x 1.00 socket head	4
2	1314AV	500 2789.7	Washer, flat, .515 x 1.12 x .094	6
3	4054GB	905 0636.8	Screw, cap, 1/2-32 x .500 socket head	4
4	25191	502 5181.0	Plate, aluminum cross frame	2
5	16742	501 8742.1	Pin, frame support, 1.50 x 8.88	2
6	21379	502 1379.2	Decal, offset	1
7	22344	502 2344.8	Decal, ram travel	1
	34316	503 4316.5	Decal (not shown)	1



GREENLEE®
A Textron Company

PRODUCT ANNOUNCEMENT

Date: February 2007
To: Greenlee Distributors
From: Todd Ellerton
Subject: 881, 884 and 885 Bender Recall

We are currently underway with a recall on the connecting bars for our 881 Conduit Benders, as well as the cross-frame plates for our 884 and 885 Rigid Conduit Benders, manufactured from January 2004 through November 2006.

This recall is currently being communicated to all Greenlee distributors. We are asking you to help us in identifying any of your customers who may have purchased these benders. In addition, we are notifying end user purchasers of these benders, identified through product registration cards and/or by distributors.

If you have questions regarding this recall, please reference the attached letters and don't hesitate to contact me directly.

Todd Ellerton
Sr. Product Manager
Greenlee Textron Inc.

There With You™
faster • safer • easier®

Greenlee / A Textron Company • 4455 Boeing Drive • Rockford, IL 61109-2988 • USA • 800-435-0786 • 815-397-7070 • www.greenlee.com

Greenlee Textron is a subsidiary of Textron Inc.